

- NOTES:
1. ALL DRAWINGS TO BE CHECKED BY CONTRACTOR ON SITE AND ENGINEER INFORMED OF DISCREPANCIES BEFORE WORK COMMENCES
  2. ALL LEVELS ARE IN METRES AND ARE RELATED TO ORDNANCE DATUM
  3. CONTRACTOR SHALL SATISFY HIMSELF AS TO THE ACCURACY OF PAVEMENT LEVELS ON SITE PRIOR TO COMMENCEMENT OF WORKS ON SITE
  4. ALL WORKS TO BE CONSTRUCTED IN ACCORDANCE WITH THE NRA SPECIFICATION FOR ROAD WORKS UNLESS NOTED OTHERWISE
  5. THIS DRAWING IS FOR PLANNING PURPOSES ONLY
  6. MANHOLE COVER LEVELS ARE TO CONFORM WITH FINISHED ROAD AND PATH LEVELS
  7. WHERE COVER TO PIPE IS LESS THAN 1500mm (ROAD/PATH/VERGE) OR 900mm (OPEN SPACE) SURROUND PIPE IN MINIMUM 150mm CONCRETE

KEY  
 - - - - - EXISTING GROUND PROFILE  
 - - - - - PROPOSED GROUND PROFILE

ORDNANCE SURVEY IRELAND LICENCE  
 No EN 0017917  
 © ORDNANCE SURVEY IRELAND  
 GOVERNMENT OF IRELAND

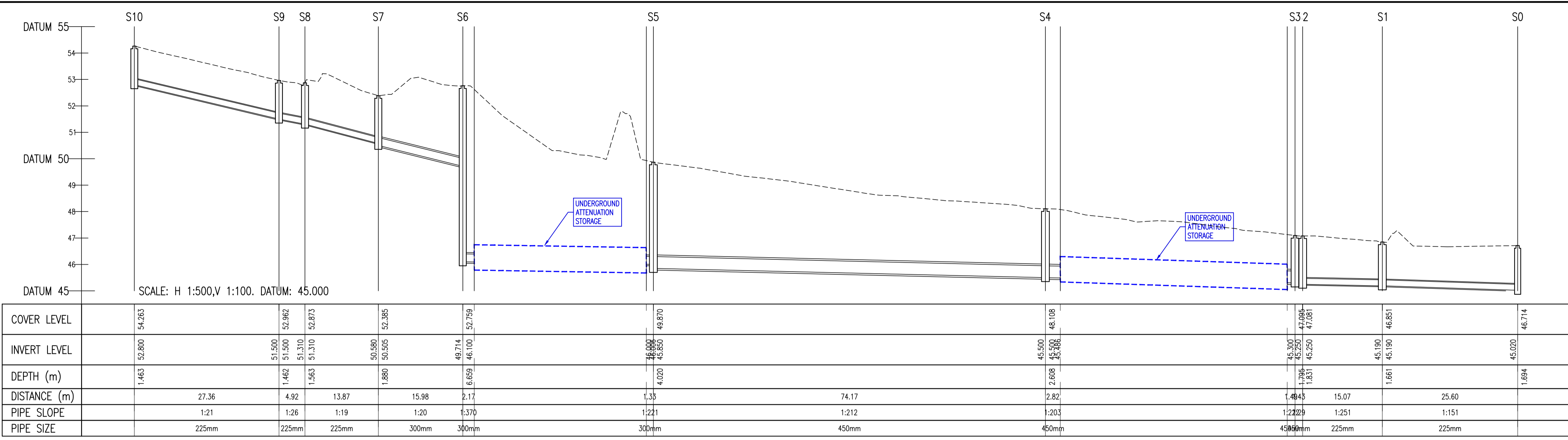
P1	03-12-19	FOR ABP APPLICATION	JVS	BK
REV.	DATE	DESCRIPTION	BY	CHKD
<b>PLANNING</b>				
DESIGNED	SPB	PREPARED	JVS	
DATE	OCT 2019	CHECKED	BK	

DBFL Consulting Engineers  
 12 O'Connell Street, Dublin 7, Ireland.  
 PHONE: +353 1 400 4000  
 FAX: +353 1 400 4050  
 WATERFORD OFFICE Unit 2, The Chandlery,  
 1-2 O'Connell Street, Waterford, Ireland.  
 PHONE: +353 51 338 550  
 FAX: +353 51 844 913  
 DBFL Consulting Engineers email: info@dbfl.ie site: www.dbfl.ie

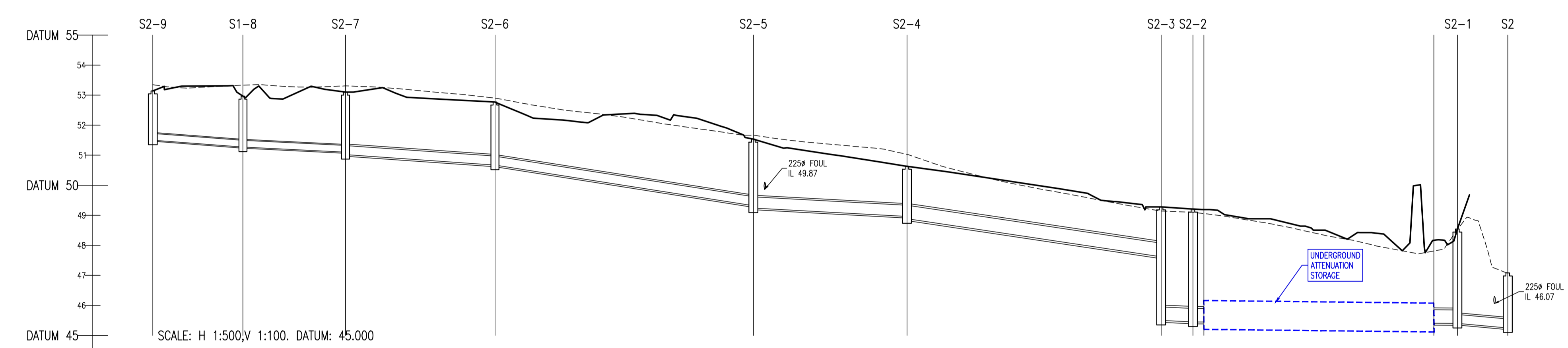
PROJECT  
**PROPOSED DEVELOPMENT AT CORNELSCOURT**

DRG. TITLE  
**LONGITUDINAL SECTIONS THROUGH SURFACE WATER**

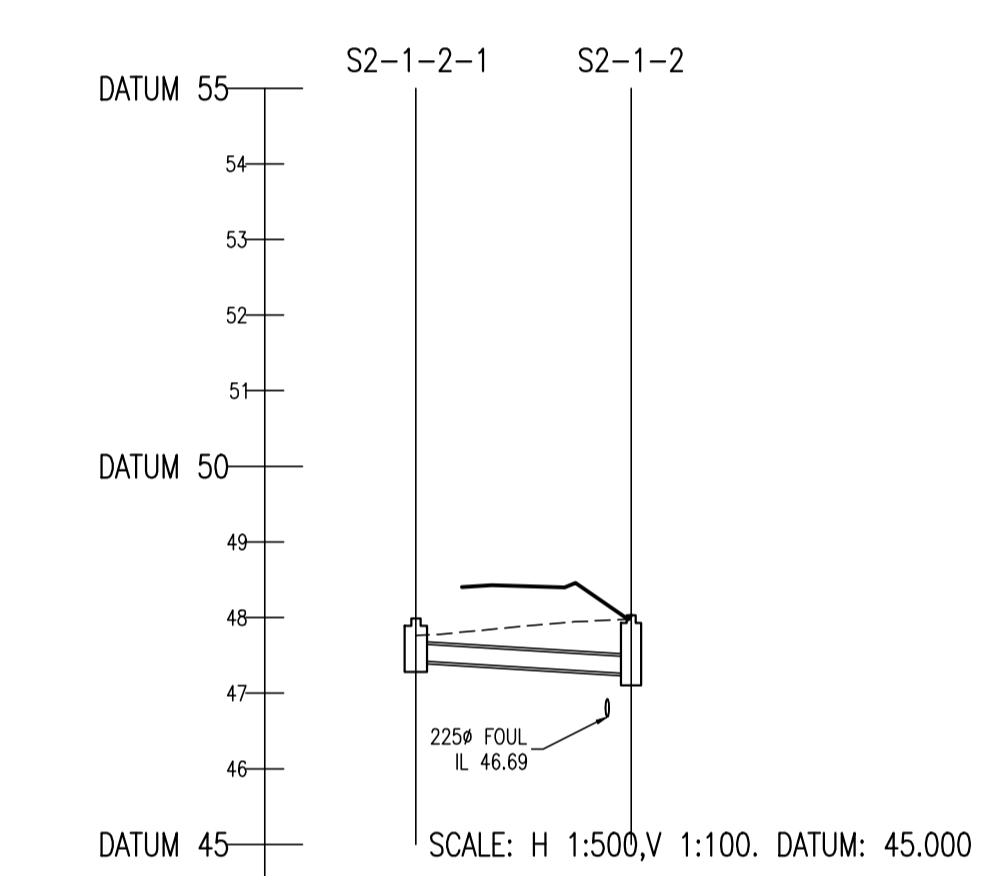
CLIENT  
**CORNEL LIVING LIMITED**



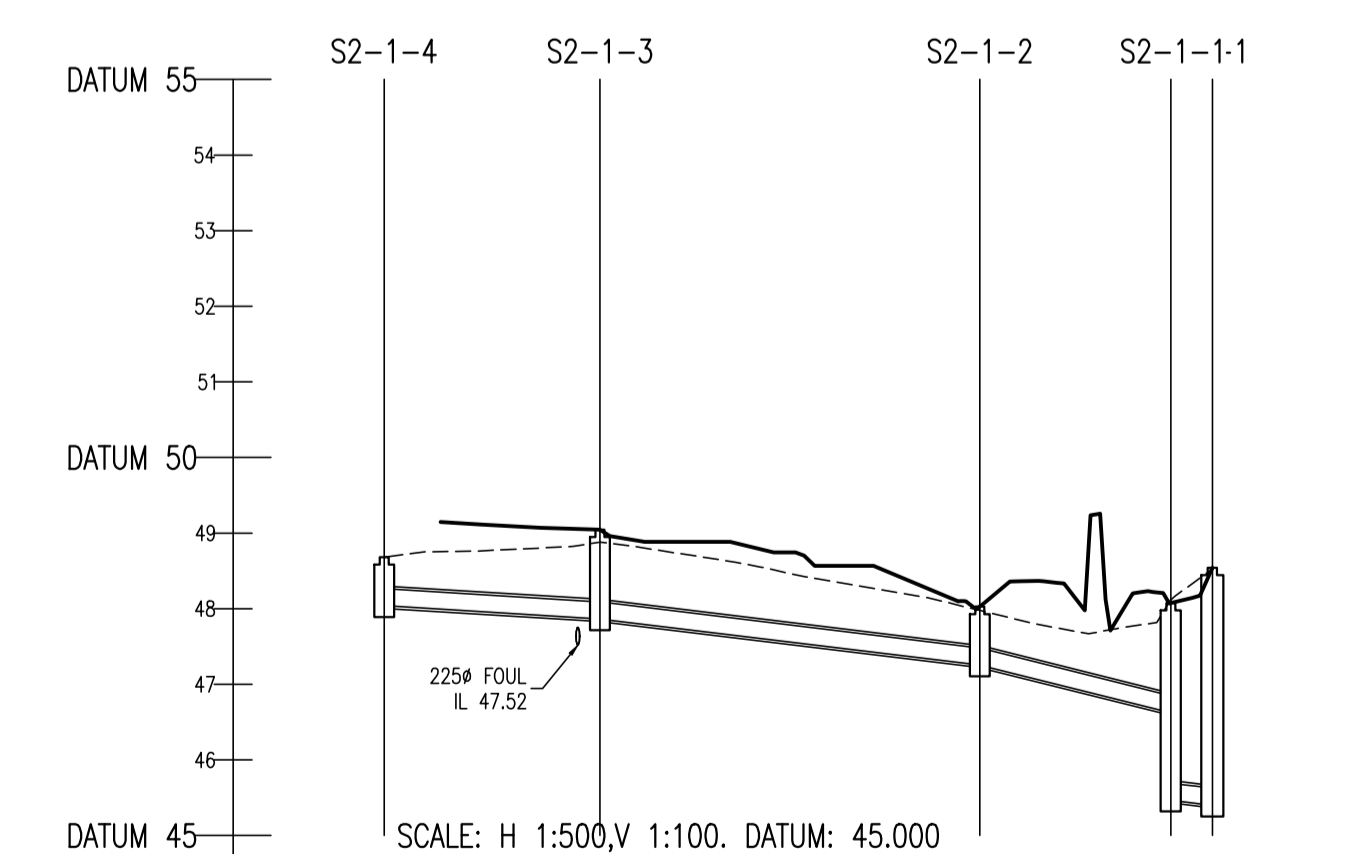
COVER LEVEL	54.263	52.962	52.873	52.385	49.870	48.108	47.081	46.851	46.714
INVERT LEVEL	52.800	51.500	51.310	50.580	48.850	45.500	45.200	45.190	45.020
DEPTH (m)	1.463	1.462	1.563	1.800	1.020	2.008	1.881	1.661	1.694
DISTANCE (m)		27.36	4.92	13.87	15.98	2.17	74.17	2.82	1.84
PIPE SLOPE		1:21	1:26	1:19	1:20	1:370	1:221	1:212	1:203
PIPE SIZE		225mm	225mm	225mm	300mm	300mm	450mm	450mm	225mm



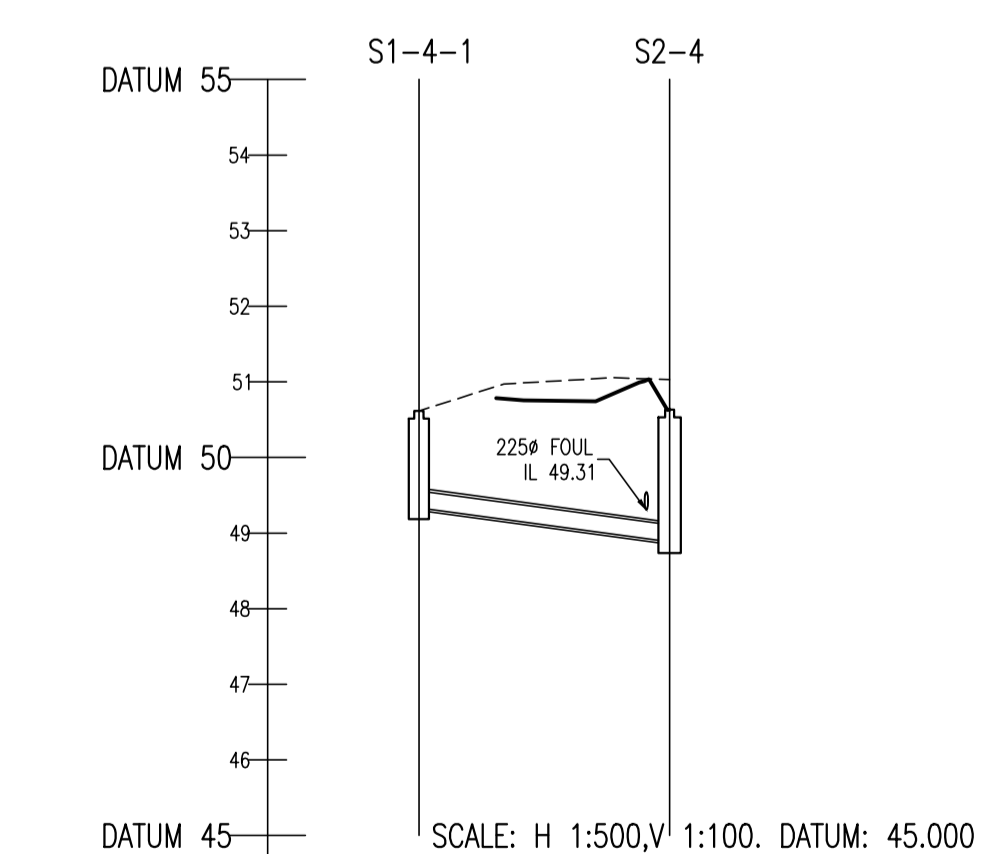
COVER LEVEL	53.141	52.865	51.100	52.771	51.535	50.631	49.280	48.542	47.081
INVERT LEVEL	51.500	51.270	51.020	50.670	49.240	48.885	45.400	45.250	
DEPTH (m)	1.641	1.695	2.080	2.101	2.295	1.746	3.780	3.142	1.831
DISTANCE (m)	14.99	17.06	24.86	42.98	25.55	1.91	5.28	3.91	8.38
PIPE SLOPE	1:65	1:100	1:71	1:32	1:91	1:33	1:106	1:977	1:56
PIPE SIZE	225mm	225mm	300mm	300mm	375mm	450mm	450mm	450mm	300mm



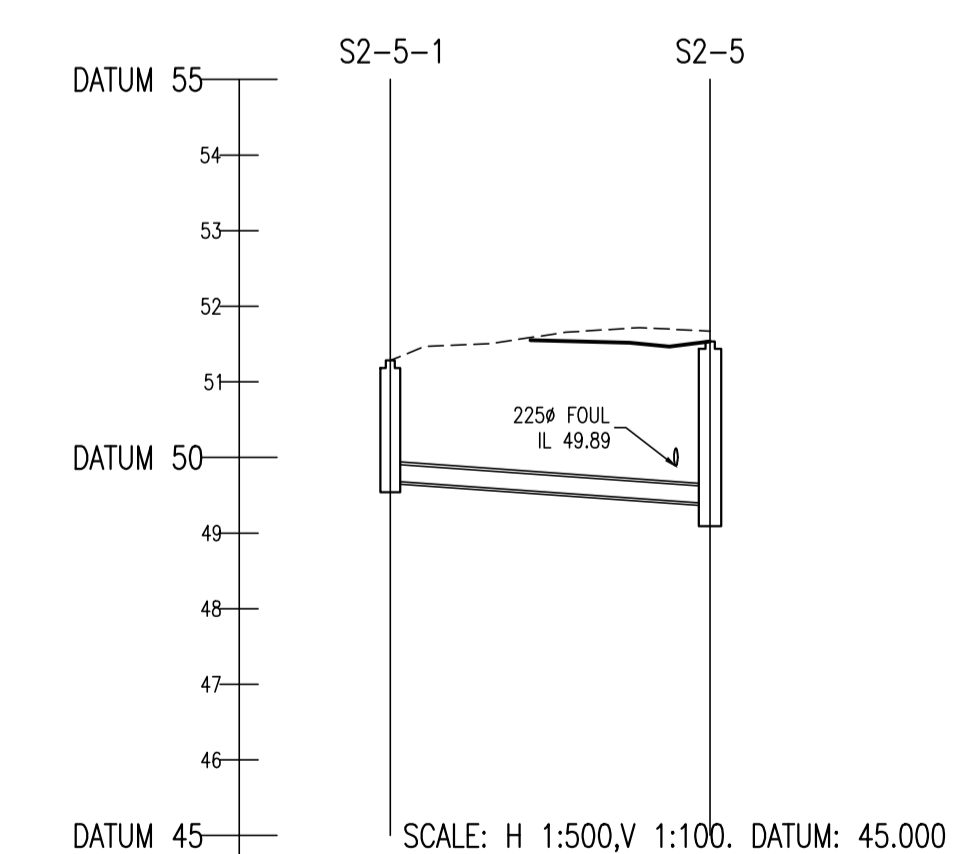
COVER LEVEL	47.690	48.028
INVERT LEVEL	47.430	47.255
DEPTH (m)	0.260	0.773
DISTANCE (m)	14.23	
PIPE SLOPE	1:81	
PIPE SIZE	225mm	



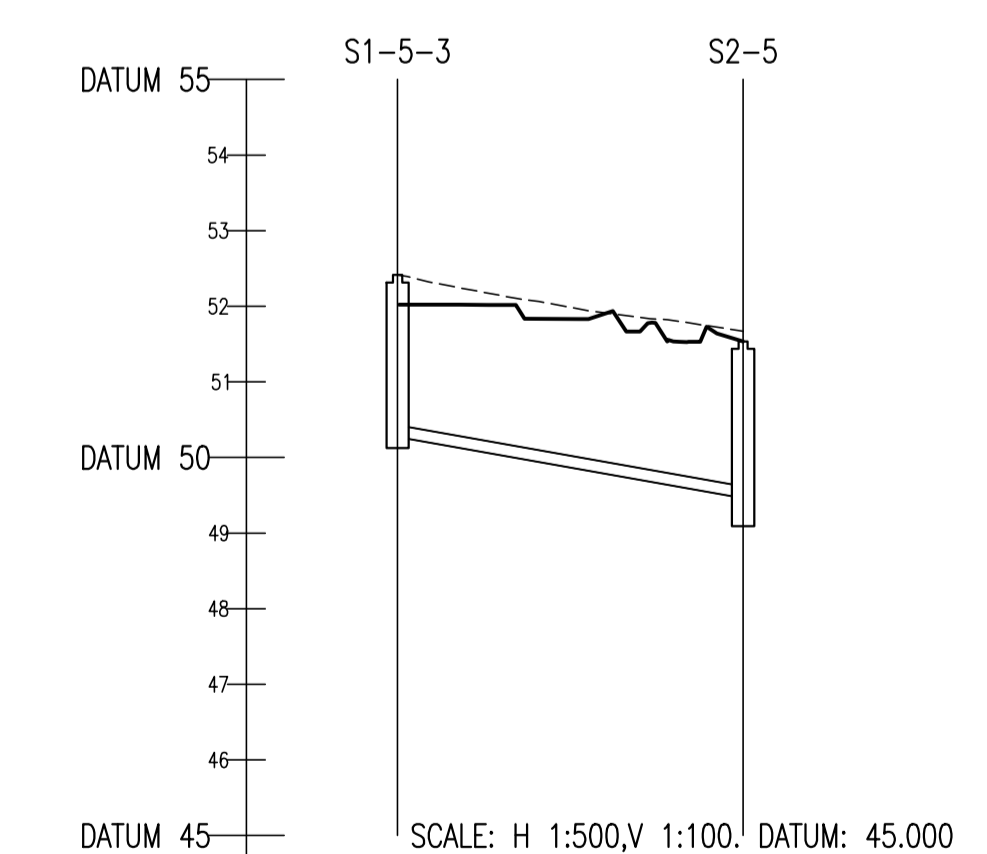
COVER LEVEL	48.681	48.046	48.028	48.077	48.542
INVERT LEVEL	48.040	47.865	47.255	48.623	48.040
DEPTH (m)	0.641	1.181	0.773	0.623	0.502
DISTANCE (m)	14.27	25.12	12.63	2.74	3.142
PIPE SLOPE	1:82	1:41	1:20	1:40	
PIPE SIZE	225mm	225mm	225mm	225mm	



COVER LEVEL	50.615	50.631
INVERT LEVEL	49.335	48.885
DEPTH (m)	1.280	1.746
DISTANCE (m)	16.59	
PIPE SLOPE	1:37	
PIPE SIZE	225mm	



COVER LEVEL	51.283	51.535
INVERT LEVEL	49.690	49.390
DEPTH (m)	1.593	2.295
DISTANCE (m)	21.16	
PIPE SLOPE	1:71	
PIPE SIZE	225mm	



COVER LEVEL	52.413	51.535
INVERT LEVEL	50.275	49.465
DEPTH (m)	2.138	2.295
DISTANCE (m)	22.86	
PIPE SLOPE	1:28	
PIPE SIZE	150mm	